

Stainless Standard Drain Channel

Heavy Duty Drain Channels are manufactured from 304 or 316 Grade stainless steel in standard lengths of 3 meters and 1 standard width.

Our Heavy Duty Drain Channels are designed to be robust and to be used in hygienic environments that have heavy load traffic. Our simple design provides an easy to clean surface and a 6mm slope for every 1 meter for draining.

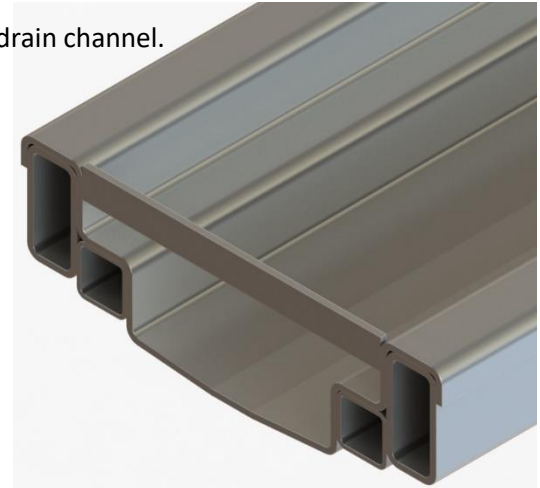
Please take a look at our Flanged Gaskets & Bolted Joints to add on to your drain channel.

Standard HD Channel Sizes:


- 100mm

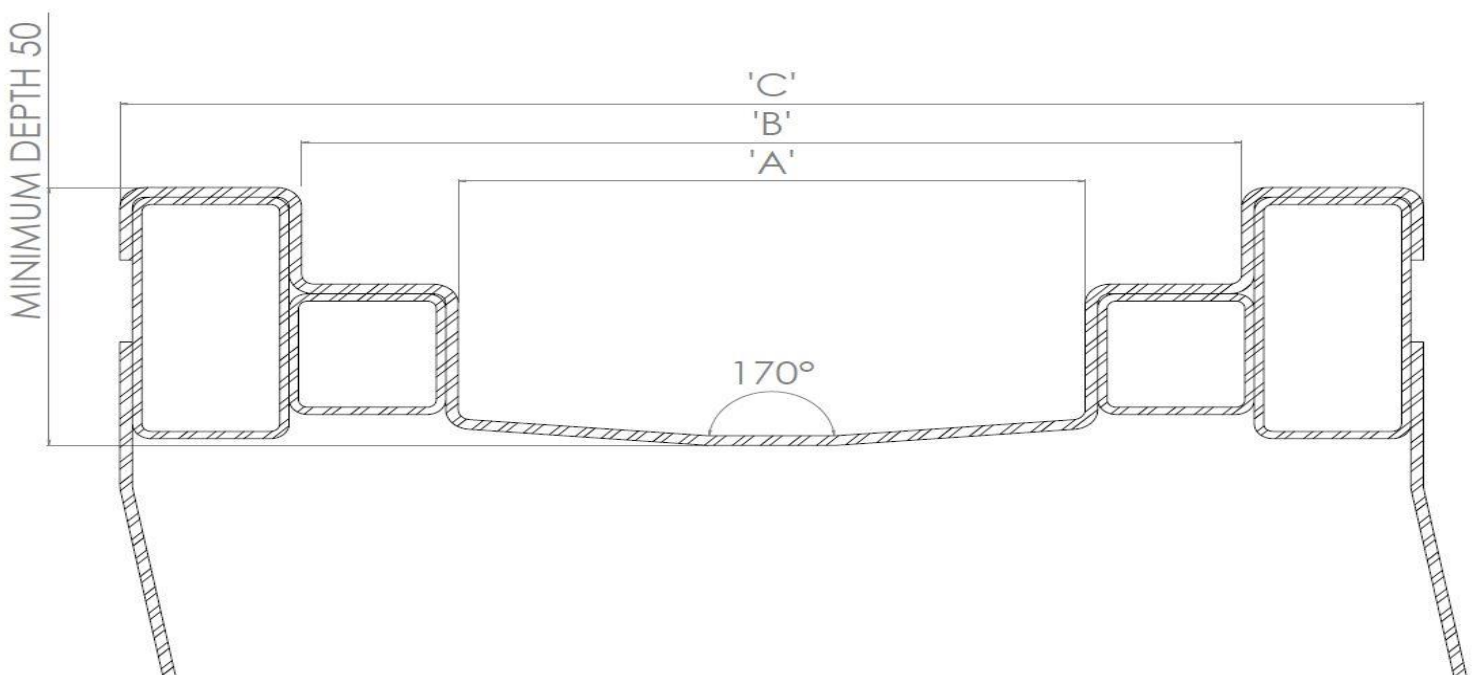
Technical Data:

- 3mm thick Stainless Steel
- Cell bars welded at 1-meter intervals
- Sand Blast Finish
- Supplied in 3-meter lengths



Heavy Duty Drain Channel LS-HDC are designed for use with our 100 range of Drain covers, Drain Outlets, Drain Gullies and Rodding Eyes.

Product	SKU	A	B	C	Cut Out Dims Width	Cut Out Dims Depth	Min Fall	Load Class
Heavy Duty Drain Channel 100mm	LS-DC-100	100	150	212	410	Channel Depth + 100mm	1:150	



LSengineering

concept | design | manufacture | install

ADVECTO.CO.UK

SPECIALISTS IN HYGIENIC STAINLESS STEEL EQUIPMENT

